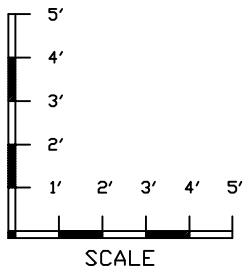
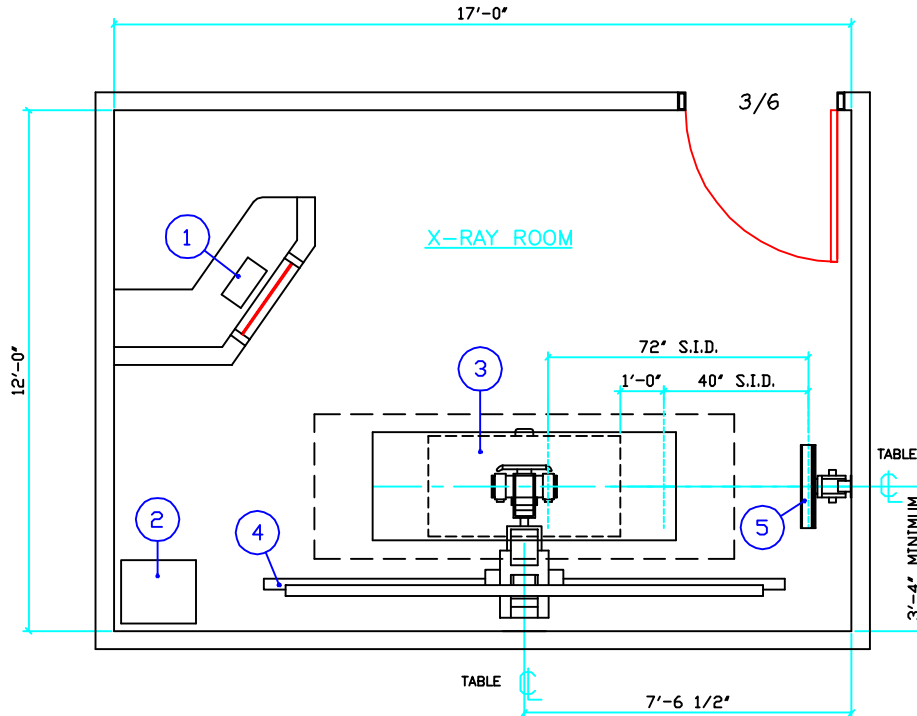


TYPICAL ROOM LAYOUT



GENERAL NOTES

- ALL SPECIFICATIONS AND SPACE REQUIREMENTS ARE SHOWN GENERICALLY. CONTACT GAMMA TECHNOLOGIES FOR SPECIFIC REQUIREMENTS PERTAINING TO OPTIONAL EQUIPMENT COMPONENTS AND ADDITIONAL ROOM PREPARATION SPECIFICATIONS.
- RECOMMENDED CEILING HEIGHT IS 8'-6".
- SUGGESTED AMBIENT ROOM REQUIREMENTS ARE 66° TO 75° F. AT 30% TO 60% R.M. (NON-CONDENSING).
- MAIN INCOMING POWER SUPPLY: VARIES WITH GENERATOR MODEL.

SUMMIT HIGH FREQUENCY RADIOGRAPHIC SYSTEM SUITE.

EQUIPMENT SCHEDULE

ITEM #	QUANTITY	EQUIPMENT IDENTIFICATION NUMBER	EQUIPMENT IDENTIFICATION NUMBER		WEIGHT (LBS.)
			BTU / HOUR	WEIGHT (LBS.)	
			DESCRIPTION	DIMENSIONS (IN.) W x D x H	
1	25	SUMMIT SYNERGY 20KHZ GENERATOR OPERATOR CONTROL PANEL	12.50	6.50 x 1.50	4
2	544	SUMMIT SYNERGY 20KHZ GENERATOR POWER MODULE	20.70	17.50 x 37.30	200
3	35	SUMMIT MODEL S-211 ELEVATING FOUR WAY FLOAT TOP TABLE	84.00	30.00 x 34.00	640
4	1200	SUMMIT MODEL S-206 FLOOR TO WALL/CEILING TUBESTAND	144.00	46.00 x 96.00	250
5	35	SUMMIT MODEL S-109 VERTICAL BUCKY STAND	24.00	14.00 x 86.00	183
6					
7					
8					

GAMMA TECH, INC



129 Wild Berry Lane
Hampstead, NC 28443
Ph (910) 270-9787
Fax (910) 270-9767
www.gammatech.net

© PLANNING DIV.

FILE NAME:
SYN20_S206_211
REVISION DATE:
01.05.2012
D.J. HENRY