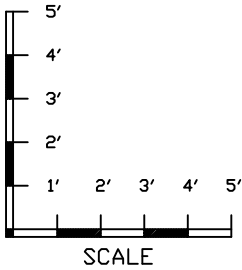
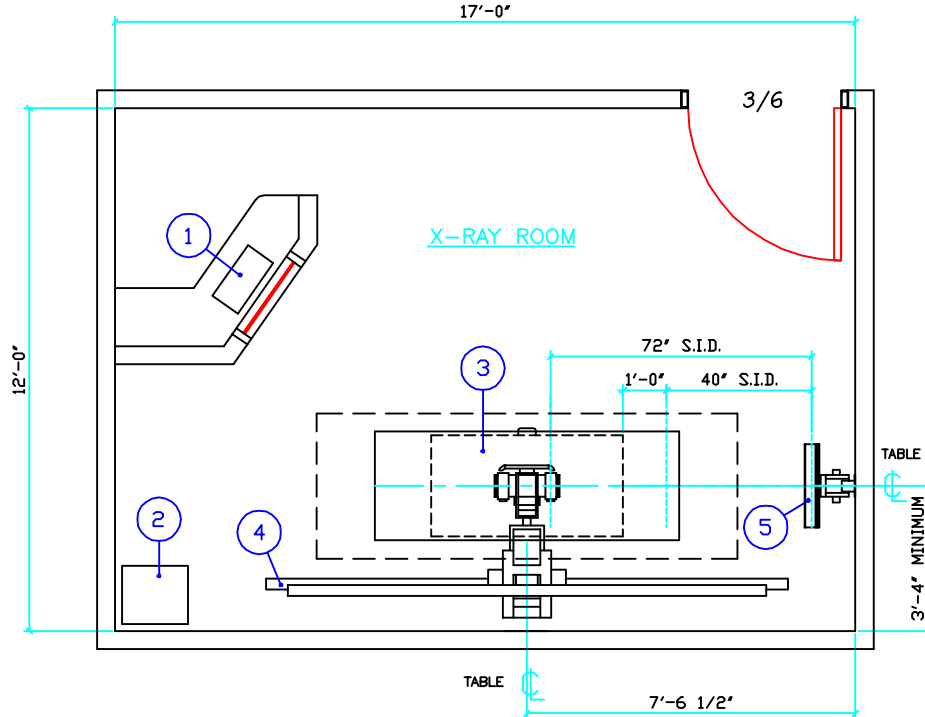


# TYPICAL ROOM LAYOUT



## GENERAL NOTES

- ALL SPECIFICATIONS AND SPACE REQUIREMENTS ARE SHOWN GENERICALLY. CONTACT GAMMA TECHNOLOGIES FOR SPECIFIC REQUIREMENTS PERTAINING TO OPTIONAL EQUIPMENT COMPONENTS AND ADDITIONAL ROOM PREPARATION SPECIFICATIONS.
- RECOMMENDED CEILING HEIGHT IS 8'-6".
- SUGGESTED AMBIENT ROOM REQUIREMENTS ARE 66° TO 75° F. AT 30% TO 60% R.M. (NON-CONDENSING).
- MAIN INCOMING POWER SUPPLY: VARIES WITH GENERATOR MODEL.

## EQUIPMENT SCHEDULE

		EQUIPMENT IDENTIFICATION NUMBER				
		BTU / HOUR	WEIGHT (LBS.)			
		DESCRIPTION	DIMENSIONS (IN.)			
			W	D	H	
1	25	SUMMIT SYNERGY 200KHZ GENERATOR OPERATOR CONTROL PANEL	17.00	8.50	3.00	4
2	544	SUMMIT SYNERGY 200KHZ GENERATOR POWER CABINET	18.00	16.00	37.00	245
3	35	SUMMIT MODEL S-211 ELEVATING FOUR WAY FLOAT TOP TABLE	84.00	30.00	34.00	640
4	1200	SUMMIT MODEL S-206 FLOOR TO WALL/CEILING TUBESTAND	144.00	46.00	96.00	250
5	35	SUMMIT MODEL S-109 VERTICAL BUCKY STAND	24.00	14.00	86.00	183
6						
7						
8						

## SUMMIT HIGH FREQUENCY RADIOGRAPHIC SYSTEM SUITE.

**GAMMA TECH, INC**



129 Wild Berry Lane  
Hampstead, NC 28443  
Ph (910) 270-9787  
Fax (910) 270-9767  
www.gammatech.net

© PLANNING DIV.

FILE NAME:  
SYN200\_S206\_211  
REVISION DATE:  
01.05.2012  
D.J. HENRY