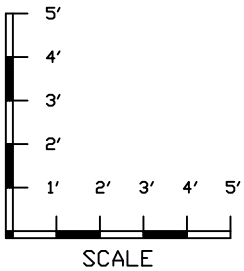
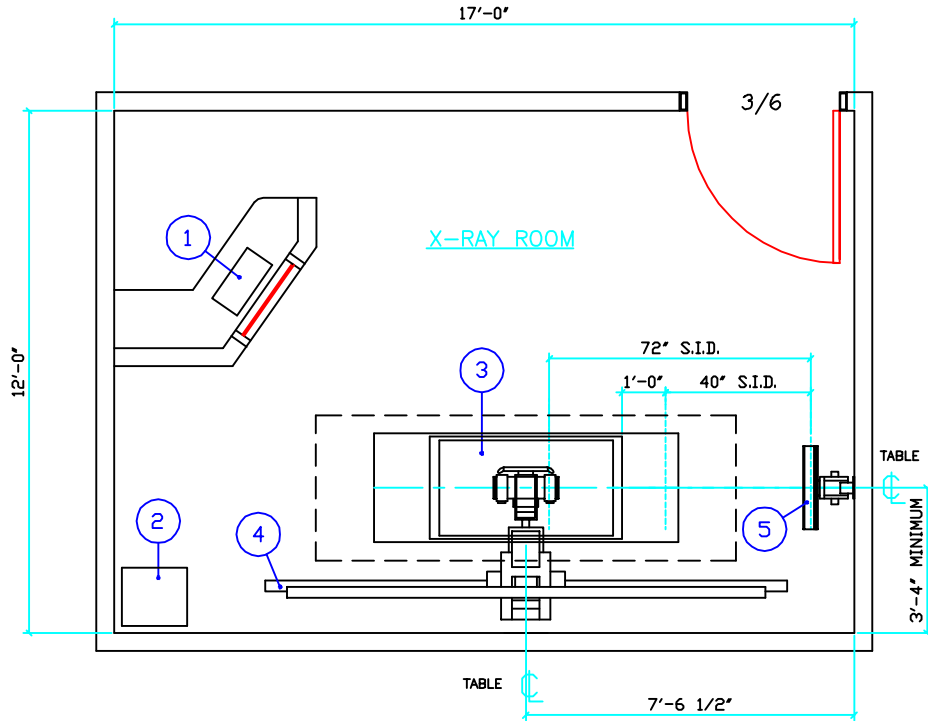


TYPICAL ROOM LAYOUT



GENERAL NOTES

- ALL SPECIFICATIONS AND SPACE REQUIREMENTS ARE SHOWN GENERICALLY. CONTACT GAMMA TECHNOLOGIES FOR SPECIFIC REQUIREMENTS PERTAINING TO OPTIONAL EQUIPMENT COMPONENTS AND ADDITIONAL ROOM PREPARATION SPECIFICATIONS.
- RECOMMENDED CEILING HEIGHT IS 8'-6".
- SUGGESTED AMBIENT ROOM REQUIREMENTS ARE 66° TO 75° F. AT 30% TO 60% R.M. (NON-CONDENSING).
- MAIN INCOMING POWER SUPPLY: VARIES WITH GENERATOR MODEL.

SUMMIT HIGH FREQUENCY RADIOGRAPHIC SYSTEM SUITE.

EQUIPMENT SCHEDULE

ITEM #	QUANTITY	DESCRIPTION	EQUIPMENT IDENTIFICATION NUMBER			
			BTU / HOUR		WEIGHT (LBS.)	
			DIMENSIONS (IN.)		W	H
W	D	x	x			
1	25	SUMMIT SYNERGY 200KHZ GENERATOR OPERATOR CONTROL PANEL	17.00	8.50	3.00	4
2	544	SUMMIT SYNERGY 200KHZ GENERATOR POWER CABINET	18.00	16.00	37.00	245
3	35	SUMMIT MODEL S-210 FOUR WAY FLOAT TOP TABLE	84.00	30.00	31.50	550
4	1200	SUMMIT MODEL S-206 FLOOR TO WALL/CEILING TUBESTAND	144.00	46.00	96.00	250
5	35	SUMMIT MODEL S-109 VERTICAL BUCKY STAND	24.00	14.00	86.00	183
6						
7						
8						

GAMMA TECH, INC



129 Wild Berry Lane
Hampstead, NC 28443
Ph (910) 270-9787
Fax (910) 270-9767
www.gammatech.net

© PLANNING DIV.

FILE NAME:
SYN200_S206_210
REVISION DATE:
01.05.2012
D.J. HENRY