

SCALE

TYPICAL ROOM AND EQUIPMENT LAYOUT
(DASHED LINES DEPICT TABLE TOP TRAVEL AND SFD CLEARANCE.)

GENERAL NOTES

- ALL SPECIFICATIONS AND SPACE REQUIREMENTS ARE SHOWN GENERICALLY. CONTACT GAMMA TECHNOLOGIES FOR SPECIFIC REQUIREMENTS PERTAINING TO OPTIONAL EQUIPMENT COMPONENTS AND ADDITIONAL ROOM PREPARATION SPECIFICATIONS.
- REQUIRED FINISHED CEILING HEIGHT IS 9'-4"
- SUGGESTED AMBIENT ROOM REQUIREMENTS ARE 59-81° F [15-27° C] AT 30% TO 75% NON-CONDENSING.
- INCOMING POWER SUPPLY:
MAIN: 480VAC, THREE PHASE, 100KVA, 80AMP, THREE POLE BREAKER.
AUXILIARY: 208/120VAC, LOADCENTER WITH ONE 60AMP MAIN AND:
ONE, 30AMP, 2-POLE BREAKER;
ONE, 20AMP, 2-POLE BREAKER;
TWO, 15AMP, 1-POLE BREAKERS;

INCOMING WIRE SIZE NOTES (MAIN BREAKER)

(CONTRACTOR FURNISHED - CONTRACTOR INSTALLED)

LISTED BELOW IS THE RELATIONSHIP BETWEEN THE LENGTH AND SIZE OF EACH INCOMING WIRE, WITH THE ASSUMPTION THAT THE POWER SOURCE HAS THE REQUIRED CAPACITY. THE VOLTAGE REGULATION UNDER LOAD VARIATION IS CALCULATED TO BE WITHIN ±5%. BE SURE TO USE WIRE SIZES INDICATED OR GREATER.

RECOMMENDED POWER TO THE MAIN DISCONNECT: 480VAC, THREE PHASE, 100KVA (WYE)
MAIN CIRCUIT BREAKER: 80AMP, 3 POLE

X-RAY GENERATOR: SHIMADZU UD150B-30

PROVIDE THE APPROPRIATE WIRE SIZE FROM POWER SOURCE TO MAIN DISCONNECT:

WIRE LENGTH	<50'	<100'	<150'	<200'
FEEDER SIZE				
LINE:	#4AWG	#4AWG	#2AWG	#0AWG
NEUTRAL:(NOT REQUIRED)				
GROUND:	#2AWG	#2AWG	#2AWG	#2AWG

SHIMADZU MEDICAL

UD150B-30 / YSF-300 / DIGITEX PRO DIGITAL
TYPICAL FLUOROMAX 300 SYSTEM

GAMMA TECH, INC



129 Wild Berry Lane
Hampstead, NC 28443
Ph (910) 270-9787
Fax (910) 270-9767
www.gammatech.net

© PLANNING DIV.

FILE NAME:
TYP SHIMADZU YSF 300 SYS.

REVISION DATE:
04/02/2004

EQUIPMENT SCHEDULE

EQUIPMENT IDENTIFICATION NUMBER							
		BTU / HOUR	WEIGHT (LBS.)				
		DESCRIPTION	DIMENSIONS (IN.)				
			W	x	D	x	H
1	12	SHIMADZU UD150B-30 X-RAY CONTROL CONSOLE MOUNTED ON COUNTER	13.20	11.40	3.15		12
2	3095	SHIMADZU UD150B-30 X-RAY CONTROL CABINET	31.50	15.80	68.90		551
3	1200	SHIMADZU - FLUOROMAX 300 (YSF-300) INTEGRATED DIGITAL R/F TILTING TABLE	82.70	57.50	90.40		3307
4	342	H.M.S. HS-3 HIGH SPEED STARTER (WALL MOUNTED)	20.25	9.25	17.00		70
5	960	SHIMADZU CH30GH OVERHEAD TUBE SUPPORT FRONT MOUNT X-RAY TUBE	216.54	78.80	108.00		771
6	N/A	SHIMADZU MOBILE TV MONITOR CART FLOOR MOUNTED	22.00	28.00	44.00		100
7	5120	SHIMADZU DIGITEX PRO DIGITAL COMPUTER MOUNTED UNDER THE COUNTER	8.70	22.00	23.60		77
8	410	SHIMADZU 17" IMAGE DISPLAY MONITOR MOUNTED ON THE COUNTER	16.50	16.50	16.10		44
9	680	SHIMADZU 21" IMAGE DISPLAY MONITOR MOUNTED ON MONITOR CART	19.30	21.60	19.30		55
10	N/A	SHIMADZU DIGITEX PRO POWER DISTRIBUTION BLOCK MOUNTED UNDER THE COUNTER	15.90	3.40	6.50		5
11	800	SHIMADZU DIGITEX PRO CAMERA CONTROL MOUNTED ON SHELF UNDER THE COUNTER	14.20	17.80	5.90		25
12	3000	SHIMADZU SERIES ST, MODEL 1020 UPS MOUNTED UNDER THE COUNTER	7.00	18.00	13.00		81
13	1200	SHIMADZU DIGITEX PRO ISOLATION/STEPDOWN TRANSFORMER	12.00	16.00	14.30		123
14	35	LINEAR IV COLLIMATOR LOGIC BOX (WALL MOUNTED)	10.00	4.12	12.00		30
15	800	PAUSCH BS-2000 V VERTICAL BUCKY STAND.	31.61	16.73	87.79		300

SHIMADZU MEDICAL

UD150B-30 / YSF-300 / DIGITEX PRO DIGITAL
TYPICAL FLUOROMAX 300 SYSTEM

GAMMA TECH, INC

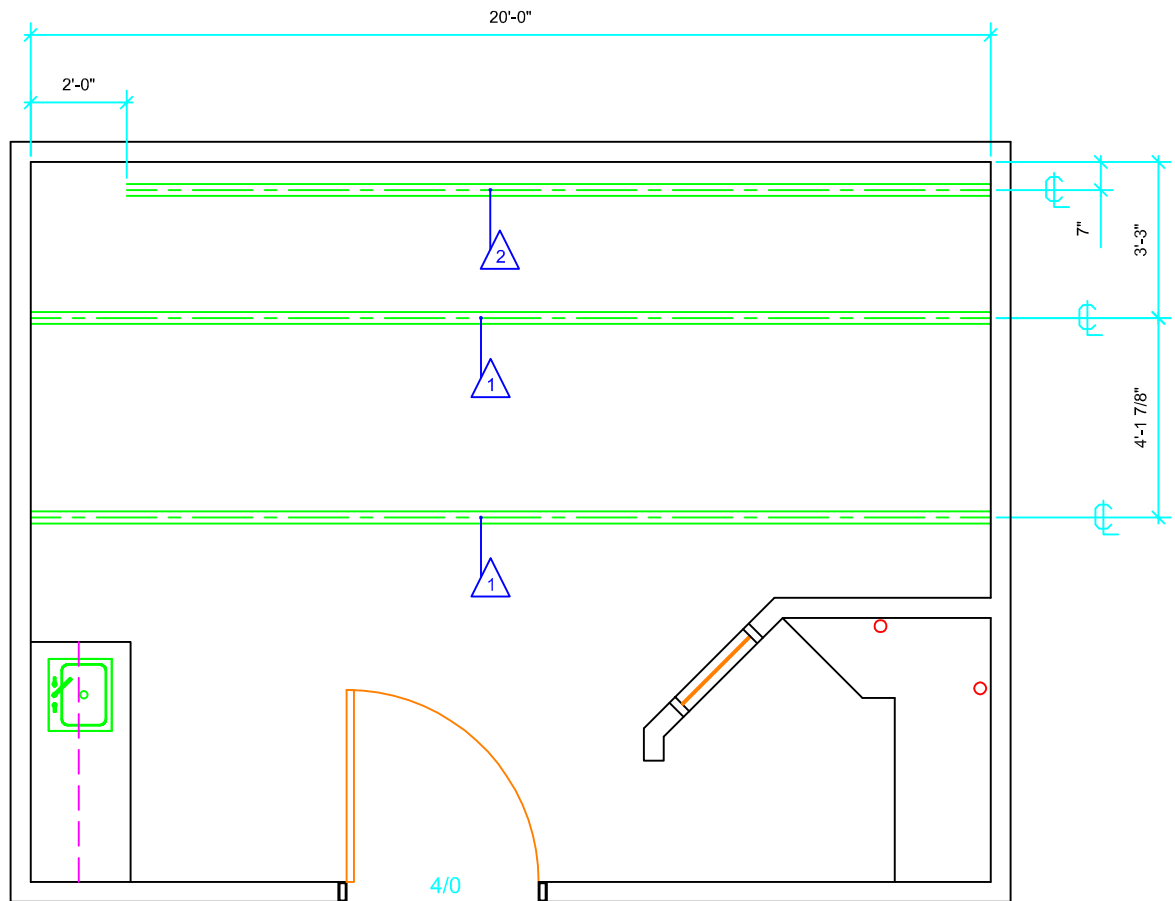


129 Wild Berry Lane
Hampstead, NC 28443
Ph (910) 270-9787
Fax (910) 270-9767
www.gammatech.net

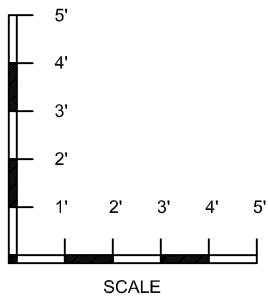
© PLANNING DIV.

FILE NAME:
TYP SHIMADZU YSF 300 SYS.

REVISION DATE:
04/02/2004



TYPICAL UNISTRUT LAYOUT
 (REQUIRED FINISHED CEILING HEIGHT IS 9'-4")



SHIMADZU MEDICAL
 UD150B-30 / YSF-300 / DIGITEX PRO DIGITAL
 TYPICAL FLUOROMAX 300 SYSTEM

GAMMA TECH, INC

129 Wild Berry Lane
 Hampstead, NC 28443
 Ph (910) 270-9787
 Fax (910) 270-9767
 www.gammatech.net

© PLANNING DIV.

FILE NAME:
 TYP SHIMADZU YSF 300 SYS.

REVISION DATE:
 04/02/2004

UNISTRUT NOTES FOR OVERHEAD TUBE SUPPORT
 (CONTRACTOR FURNISHED - CONTRACTOR INSTALLED)



PROVIDE (P1001) UNISTRUT CHANNEL.
 FLUSH MOUNT IN FINISHED CEILING WHERE SHOWN.
 PAINT CHANNEL THE SAME COLOR AS THE FINISHED CEILING.
 EACH CHANNEL SHALL SUPPORT 770 POUNDS STATIC LOAD.



PROVIDE (P1001) UNISTRUT CHANNEL FOR CABLE DRAPE.
 FLUSH MOUNT IN FINISHED CEILING WHERE SHOWN.
 PAINT CHANNEL THE SAME COLOR AS THE FINISHED CEILING.
 CHANNEL SHALL SUPPORT 150 POUNDS STATIC LOAD.
 INSTALL 5 EA. (P2751N) TROLLEYS IN UNISTRUT CHANNEL.