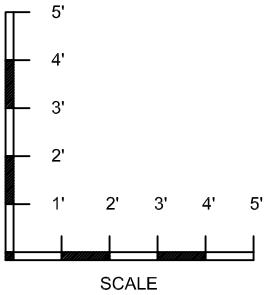


TYPICAL ROOM AND EQUIPMENT LAYOUT

(DASHED LINES DEPICT TABLE TOP TRAVEL)



GENERAL NOTES

- ALL SPECIFICATIONS AND SPACE REQUIREMENTS ARE SHOWN GENERICALLY. CONTACT GAMMA TECHNOLOGIES FOR SPECIFIC REQUIREMENTS PERTAINING TO OPTIONAL EQUIPMENT COMPONENTS AND ADDITIONAL ROOM PREPARATION SPECIFICATIONS.
- REQUIRED CEILING HEIGHT IS 9'-4"
- SUGGESTED AMBIENT ROOM REQUIREMENTS ARE 59-81° F [15-27° C] AT 20% TO 80% NON-CONDENSING.
- INCOMING POWER SUPPLY:
MAIN: 480VAC, THREE PHASE, 100KVA, 80AMP, THREE POLE BREAKER
AUXILIARY: 208/120VAC, 30AMP MAIN IN LOAD CENTER WITH TWO 15AMP, 2-POLE BREAKERS.

EQUIPMENT SCHEDULE

EQUIPMENT IDENTIFICATION NUMBER

	BTU / HOUR	DESCRIPTION	WEIGHT (LBS.)			
			DIMENSIONS (IN.)			
			W	x	D	x
1	198	SHIMADZU UD150-B40 - 80kw X-RAY CONTROL CONSOLE WALL MOUNTED (CENTER OF DISPLAY 48" A.F.F.)	14.96	3.23	13.59	6
2	2700	SHIMADZU UD150-B40 - 80kw X-RAY CONTROL CABINET (CONTAINS SA-42 HIGH SPEED STARTER)	27.56	15.75	68.88	552
3	1024	SHIMADZU BK-200 ELEVATING RADIOGRAPHIC TABLE	92.50	32.31	VAR.	706
4	1024	SHIMADZU BK-200 TABLE ELECTRONIC CABINET (MOUNTED ON FLOOR)	15.75	15.59	13.81	67
5	1024	SHIMADZU - (FRONT MOUNT TUBE) CH-200 (157.5" (4m) LONG. RAILS) CEILING MOUNTED TUBE SUPPORT	157.50	102.38	112.21	552
6	1024	SHIMADZU CH-200 TUBE SUPPORT ELECTRONIC CABINET (ON BK-200 EC) WITH R-30H COLLIMATOR E.C.	15.75	12.59	15.69	67
7	35	SHIMADZU BR-120 VERTICAL WALL BUCKY	24.81	14.44	84.84	221

SHIMADZU MEDICAL

UD150B-40 / BK-200 / CH-200 / BR-120
TYPICAL RADSPPEED TOMO SYSTEM

GAMMA TECH, INC



129 Wild Berry Lane
Hampstead, NC 28443
Ph (910) 270-9787
Fax (910) 270-9767
www.gammatech.net

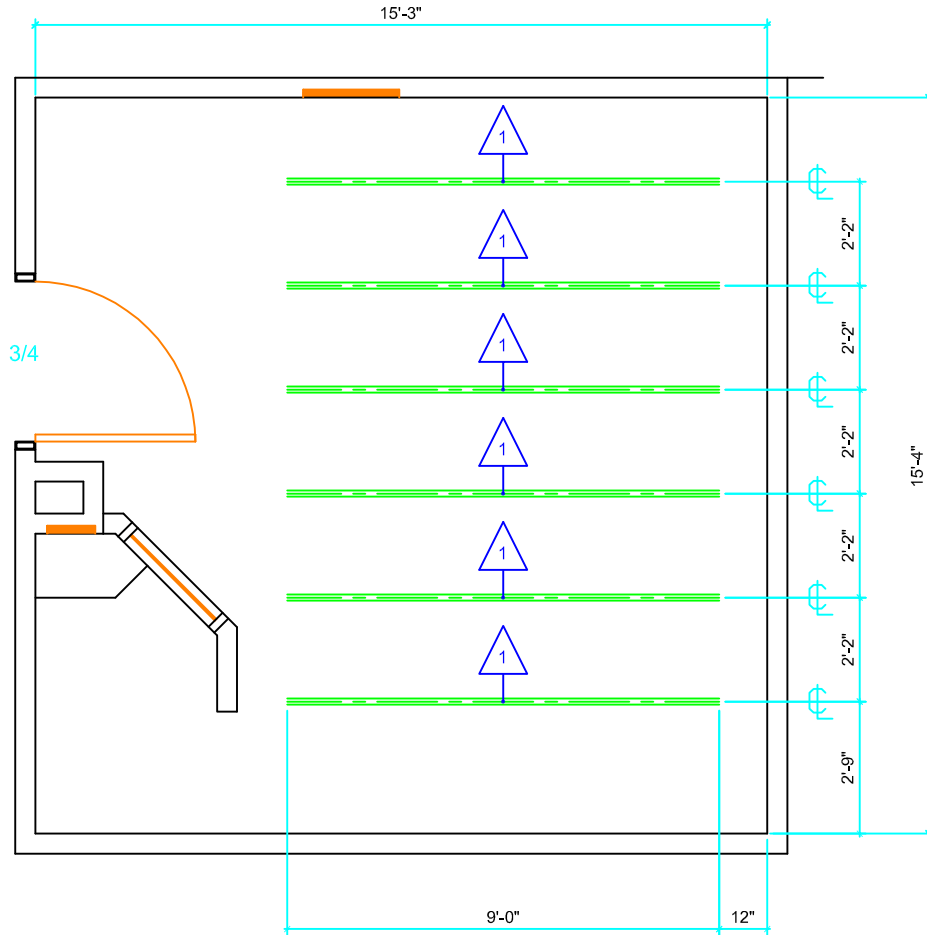
© PLANNING DIV.

FILE NAME:

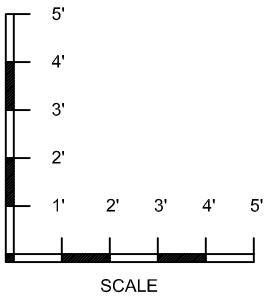
TYP SHIMADZU RADSPPEED

REVISION DATE:

07/12/2004



PROPOSED UNISTRUT LAYOUT FOR TYPICAL RADSPPEED SYSTEM
 (REQUIRED FINISHED CEILING HEIGHT IS 9'-4")



SHIMADZU MEDICAL

UD150B-40 / BK-200 / CH-200 / BR-120
 TYPICAL RADSPPEED TOMO SYSTEM

GAMMA TECH, INC



129 Wild Berry Lane
 Hampstead, NC 28443
 Ph (910) 270-9787
 Fax (910) 270-9767
 www.gammatech.net

© PLANNING DIV.

FILE NAME:
 TYP SHIMADZU RADSPPEED

REVISION DATE:
 07/12/2004

UNISTRUT NOTES

(CONTRACTOR FURNISHED - CONTRACTOR INSTALLED)



PROVIDE (P1001) UNISTRUT CHANNEL.
 FLUSH MOUNT IN FINISHED CEILING WHERE SHOWN.
 PAINT CHANNEL THE SAME COLOR AS THE FINISHED CEILING.
 EACH CHANNEL SHALL SUPPORT 550 POUNDS STATIC LOAD.