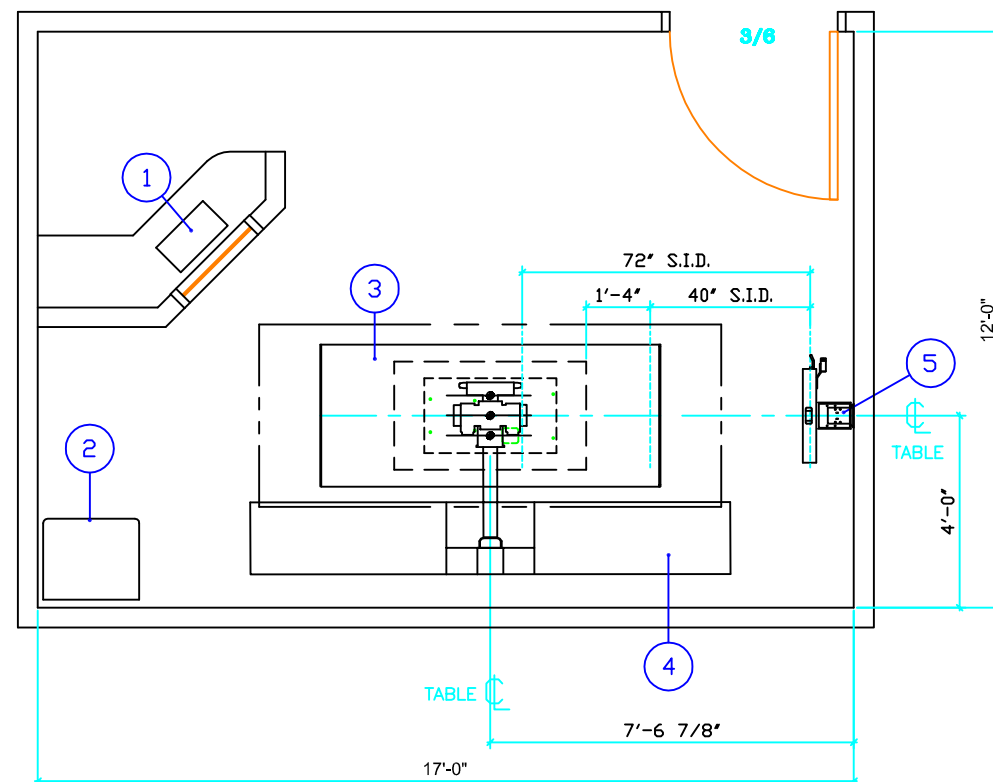


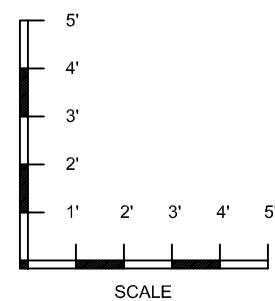
**GENERAL NOTES**

- ALL SPECIFICATIONS AND SPACE REQUIREMENTS ARE SHOWN GENERICALLY. CONTACT GAMMA TECH, INC. FOR SPECIFIC REQUIREMENTS PERTAINING TO OPTIONAL EQUIPMENT COMPONENTS AND ADDITIONAL ROOM PREPARATION SPECIFICATIONS.
- RECOMMENDED CEILING HEIGHT IS 8'-0".
- SUGGESTED AMBIENT ROOM REQUIREMENTS ARE 66° - 75° F AT 30% TO 60% R.H. (NON-CONDENSING).
- MAIN INCOMING POWER SUPPLY: 230VAC, ±10%, SINGLE PHASE, 60KVA, 100AMP, 2-POLE.

© PLANNING DIVISION  
FILE NAME:  
RG375XL\_QT750\_QS550.DWG  
REVISION DATE: 01/08/2010



TYPICAL ROOM LAYOUT



**EQUIPMENT SCHEDULE**

NOTES	EQUIPMENT IDENTIFICATION NUMBER					
		BTU / HOUR	WEIGHT (LBS.)			
			DIMENSIONS (IN.)			
	DESCRIPTION	W	x	D	x	H
OFOI	1	150	16.60	12.30	3.70	10
OFOI	2	4000	18.00	16.00	48.70	210
OFOI	3	400	85.00	35.55	32.50	500
OFOI	4	1200	120.00	47.34	92.00	600
OFOI	5	35	26.00	14.50	84.00	225

NOTE EXPLANATION:  
CFCI = CONTRACTOR FURNISHED - CONTRACTOR INSTALLED  
OFCI = OWNER FURNISHED - CONTRACTOR INSTALLED  
OFOI = OWNER FURNISHED - OWNER INSTALLED

PLANNING BY:



**GAMMA TECH, INC**

129 Wild Berry Lane  
Hampstead, NC 28443  
Ph (910) 270-9787 • Fax (910) 270-9767  
www.gammatech.net