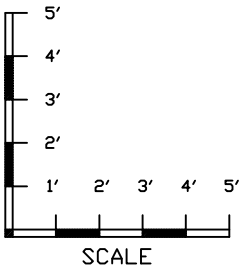
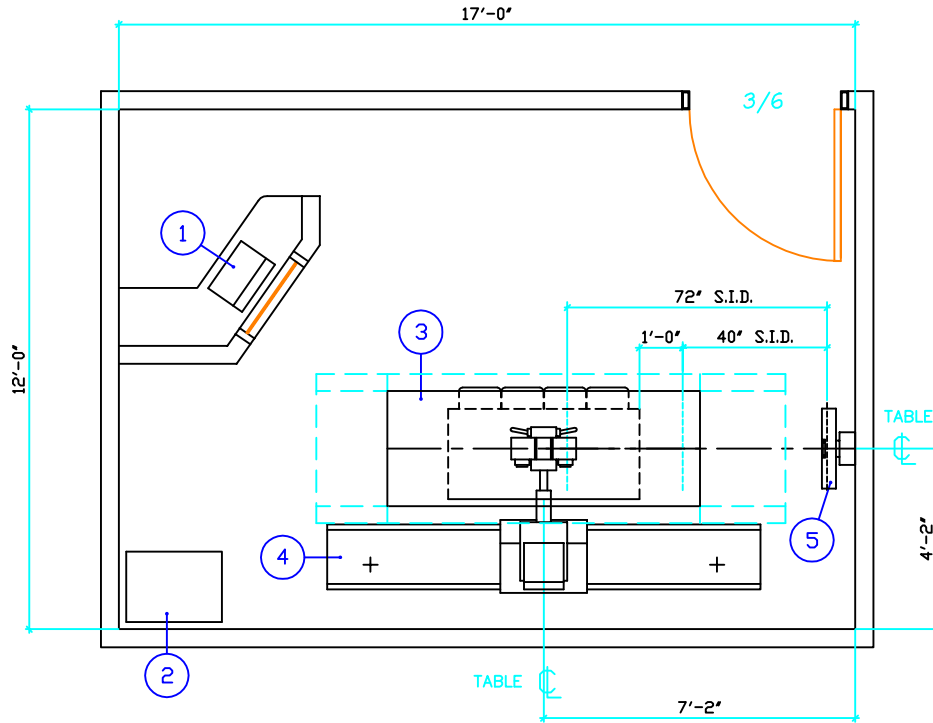


TYPICAL ROOM LAYOUT



GENERAL NOTES

- ALL SPECIFICATIONS AND SPACE REQUIREMENTS ARE SHOWN GENERICALLY. CONTACT GAMMA TECH, INC. FOR SPECIFIC REQUIREMENTS PERTAINING TO OPTIONAL EQUIPMENT COMPONENTS AND ADDITIONAL ROOM PREPARATION SPECIFICATIONS.
- RECOMMENDED CEILING HEIGHT IS 8'-6".
- SUGGESTED AMBIENT ROOM REQUIREMENTS ARE 66° TO 75° F. AT 30% TO 60% R.M. (NON-CONDENSING).
- MAIN INCOMING POWER SUPPLY: VARIES WITH GENERATOR MODEL.

GENDEX HIGH FREQUENCY RADIOGRAPHIC SYSTEM SUITE.

EQUIPMENT SCHEDULE

EQUIPMENT IDENTIFICATION NUMBER							
		BTU / HOUR	WEIGHT (LBS.)				
			DESCRIPTION	DIMENSIONS (IN.)			
				W	D		H
1	320	GENDEX ATC-SERIES HF GENERATOR OPERATOR CONTROL PANEL	16.00	12.75	36.50	80	
2	4000	GENDEX ATC-SERIES HF GENERATOR RACK CABINET WITH H.T. TRANSFORMER	26.50	19.50	63.25	250	
3	393	GENDEX EV-200 ELEVATING TABLE	76.00	31.87	33.50	550	
4	1200	GENDEX MODEL FMTS FLOOR MOUNTED TUBESTAND	120.00	45.00	85.00	673	
5	320	GENDEX VS-200 SLIM LINE VERTICAL BUCKY STAND	25.00	12.25	84.00	200	
6							
7							
8							

GAMMA TECH, INC



129 Wild Berry Lane
Hampstead, NC 28443
Ph (910) 270-9787
Fax (910) 270-9767
www.gammatech.net

© PLANNING DIV.

FILE NAME:
ATC SERIES FMTS
REVISION DATE:
07.15.2008