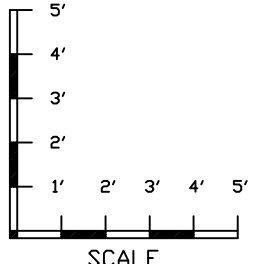
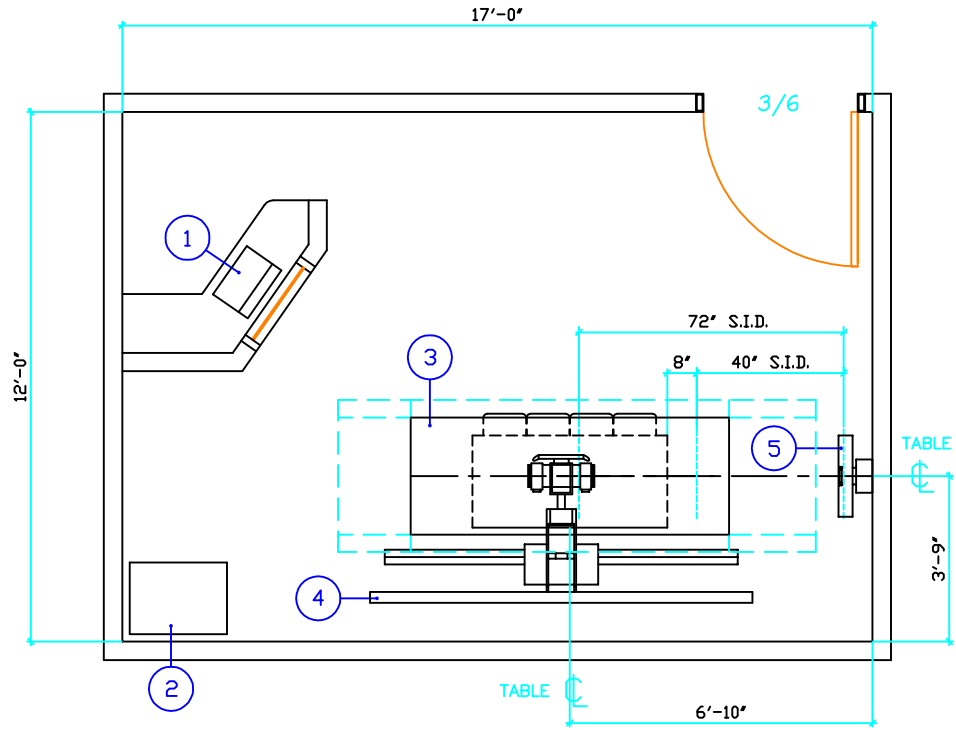


TYPICAL ROOM LAYOUT



GENERAL NOTES

- ALL SPECIFICATIONS AND SPACE REQUIREMENTS ARE SHOWN GENERICALLY. CONTACT GAMMA TECH, INC. FOR SPECIFIC REQUIREMENTS PERTAINING TO OPTIONAL EQUIPMENT COMPONENTS AND ADDITIONAL ROOM PREPARATION SPECIFICATIONS.
- RECOMMENDED CEILING HEIGHT IS 8'-6".
- SUGGESTED AMBIENT ROOM REQUIREMENTS ARE 66° TO 75° F. AT 30% TO 60% R.M. (NON-CONDENSING).
- MAIN INCOMING POWER SUPPLY: VARIES WITH GENERATOR MODEL.

EQUIPMENT SCHEDULE

EQUIPMENT IDENTIFICATION NUMBER

ID	QTY	DESCRIPTION	BTU / HOUR		WEIGHT (LBS.)			
			BTU / HOUR		DIMENSIONS (IN.)			
			W	D	W	x	D	x
1	320	GENDEX ATC-SERIES HF GENERATOR OPERATOR CONTROL PANEL			16.00	12.75	36.50	80
2	4000	GENDEX ATC-SERIES HF GENERATOR RACK CABINET WITH H.T. TRANSFORMER			26.50	19.50	63.25	250
3	393	GENDEX EV-200 ELEVATING TABLE			76.00	31.87	33.50	550
4	1200	GENDEX MODEL 3309 FLOOR TO WALL/CEILING TUBESTAND			96.00	34.00	94-124	373
5	320	GENDEX VS-200 SLIM LINE VERTICAL BUCKY STAND			25.00	12.25	84.00	200
6								
7								
8								

GENDEX HIGH FREQUENCY RADIOGRAPHIC SYSTEM SUITE.

GAMMA TECH, INC
 129 Wild Berry Lane
 Hampstead, NC 28443
 Ph (910) 270-9787
 Fax (910) 270-9767
 www.gammatech.net

© PLANNING DIV.
 FILE NAME:
 ATC SERIES 3309
 REVISION DATE:
 07.15.2008