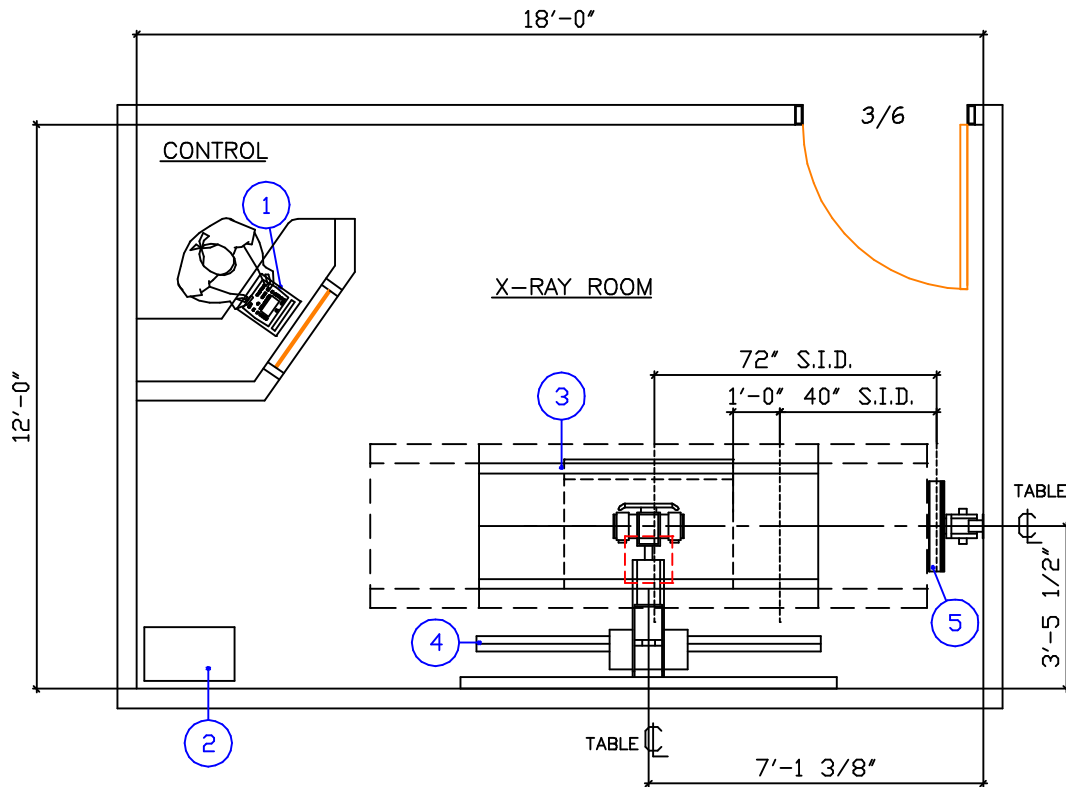


# DEL MEDICAL SYSTEMS GROUP



## GENERAL NOTES

- ALL SPECIFICATIONS AND SPACE REQUIREMENTS ARE SHOWN GENERICALLY. CONTACT GAMMA TECH, INC. FOR SPECIFIC REQUIREMENTS PERTAINING TO OPTIONAL EQUIPMENT COMPONENTS AND SITE SPECIFIC ROOM PLANNING.
- RECOMMENDED CEILING HEIGHT IS 8'-0".
- SUGGESTED AMBIENT ROOM REQUIREMENTS ARE 66° TO 75° F. AT 30% TO 60% R.M. (NON-CONDENSING).
- MAIN INCOMING POWER SUPPLY: VARIES WITH GENERATOR KW MODEL.

## TYPICAL FWFC SYSTEM HIGH FREQUENCY RADIOGRAPHICSUITE

## EQUIPMENT SCHEDULE

EQUIPMENT IDENTIFICATION NUMBER	BTU / HOUR	DESCRIPTION	WEIGHT (LBS.)			
			DIMENSIONS (IN.)			
			W	x	D	x
1	70	DEL MEDICAL SYSTEMS GROUP CMP-200 SERIES HF GENERATOR OPERATOR CONTROL PANEL	10.90	12.30	3.50	6
2	1000	DEL MEDICAL SYSTEMS GROUP CMP-200 SERIES HF GENERATOR RACK CABINET	23.00	13.70	24.30	113
3	410	DEL MEDICAL SYSTEMS GROUP RT-100 FOUR WAY FLOAT TOP TABLE	86.62	32.00	33.00	468
4	1200	DEL MEDICAL SYSTEMS GROUP MODEL FWFC (TRUNION TUBE MOUNT) FLOOR TO WALL/CEILING TUBESTAND	96.00	48.00	94-124	373
5	320	DEL MEDICAL SYSTEMS GROUP 3546 14' X 17' WALLSTAND	23.00	14.00	86.00	250
6						
7						
8						



**GAMMA TECH, INC.**

1213 Idaho Road  
Austintown, OH 44515  
dhenry@gammatech.net

Voice (330) 792-9568  
Fax (330) 792-0658  
www.gammatech.net

DESIGNER:  
**DAVID HENRY**

FILE NAME: DEL4TYP.DWG  
REVISION DATE: 05/28/2008