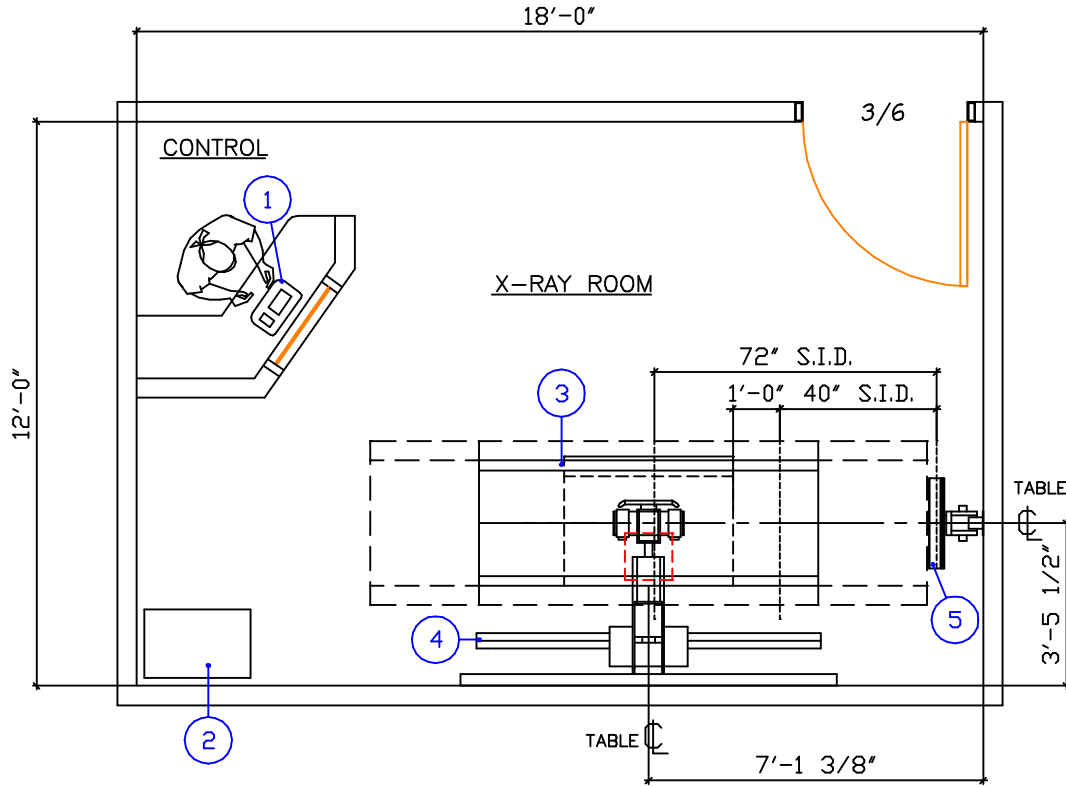


DEL MEDICAL SYSTEMS GROUP



GENERAL NOTES

- ALL SPECIFICATIONS AND SPACE REQUIREMENTS ARE SHOWN GENERICALLY. CONTACT GAMMA TECH, INC. FOR SPECIFIC REQUIREMENTS PERTAINING TO OPTIONAL EQUIPMENT COMPONENTS AND SITE SPECIFIC ROOM PLANNING.
- RECOMMENDED CEILING HEIGHT IS 8'-0".
- SUGGESTED AMBIENT ROOM REQUIREMENTS ARE 66° TO 75° F. AT 30% TO 60% R.M. (NON-CONDENSING).
- MAIN INCOMING POWER SUPPLY: VARIES WITH GENERATOR KW MODEL.

EQUIPMENT SCHEDULE

EQUIPMENT IDENTIFICATION NUMBER	BTU / HOUR	WEIGHT (LBS.)				
		DIMENSIONS (IN.)				
		W	x	D	x	H
DESCRIPTION						
1	320	DEL MEDICAL SYSTEMS GROUP APX SERIES HF GENERATOR OPERATOR CONTROL PANEL	13.25	7.86	VARIABLE	25
2	4000	DEL MEDICAL SYSTEMS GROUP APX SERIES HF GENERATOR RACK CABINET	27.00	17.50	45.75	300
3	410	DEL MEDICAL SYSTEMS GROUP RT-100 FOUR WAY FLOAT TOP TABLE	86.62	32.00	33.00	468
4	1200	DEL MEDICAL SYSTEMS GROUP MODEL FWFC (TRUNION TUBE MOUNT) FLOOR TO WALL/CEILING TUBESTAND	96.00	48.00	94-124	373
5	320	DEL MEDICAL SYSTEMS GROUP 3546 14' X 17' WALLSTAND	23.00	14.00	86.00	250
6						
7						
8						

TYPICAL M2A SYSTEM HIGH FREQUENCY RADIOGRAPHIC SUITE



GAMMA TECH, INC.

1213 Idaho Road
Austintown, OH 44515
dhenry@gammatech.net

Voice (330) 792-9568
Fax (330) 792-0658
www.gammatech.net

DESIGNER:
DAVID HENRY

FILE NAME: DEL2TYP.DWG
REVISION DATE: 05/28/2008