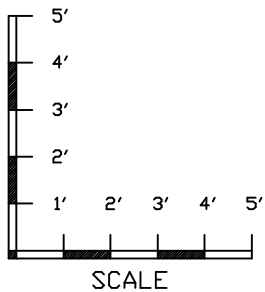
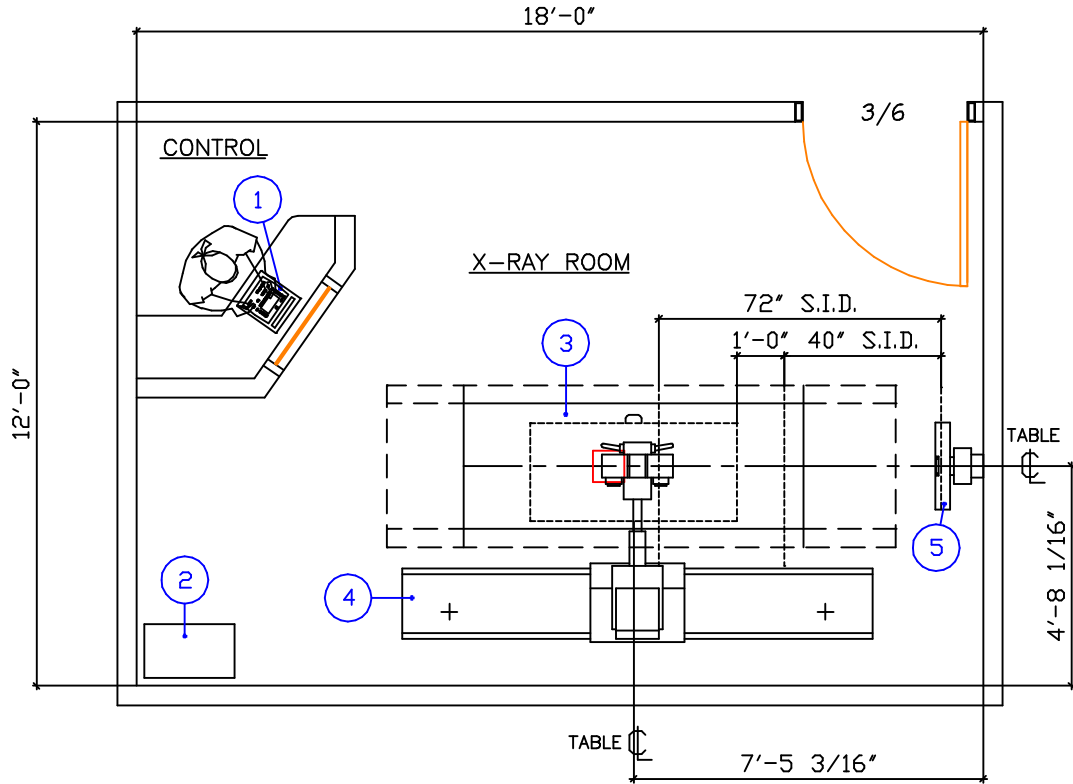


DEL MEDICAL SYSTEMS GROUP



GENERAL NOTES

- ALL SPECIFICATIONS AND SPACE REQUIREMENTS ARE SHOWN GENERICALLY. CONTACT GAMMA TECH, INC. FOR SPECIFIC REQUIREMENTS PERTAINING TO OPTIONAL EQUIPMENT COMPONENTS AND SITE SPECIFIC ROOM PLANNING.
- RECOMMENDED CEILING HEIGHT IS 8'-0".
- SUGGESTED AMBIENT ROOM REQUIREMENTS ARE 66° TO 75° F. AT 30% TO 60% R.M. (NON-CONDENSING).
- MAIN INCOMING POWER SUPPLY: VARIES WITH GENERATOR KW MODEL.

EQUIPMENT SCHEDULE

EQUIPMENT IDENTIFICATION NUMBER	BTU / HOUR	DESCRIPTION	WEIGHT (LBS.)			
			DIMENSIONS (IN.)			
			W	X	D	H
1	70	DEL MEDICAL SYSTEMS GROUP CMP-200 SERIES HF GENERATOR OPERATOR CONTROL PANEL	10.90	12.30	3.50	6
2	1000	DEL MEDICAL SYSTEMS GROUP CMP-200 SERIES HF GENERATOR RACK CABINET	23.00	13.70	24.30	113
3	300	DEL MEDICAL SYSTEMS GROUP EV-650 ELEVATING 4-WAY FLOAT TOP TABLE	86.62	31.90	33.70	585
4	1200	DEL MEDICAL SYSTEMS GROUP MODEL DFMT/FMFS (TRUNION MOUNT) FLOOR MOUNTED TUBESTAND	120.00	45.00	85.00	673
5	320	DEL MEDICAL SYSTEMS GROUP VS-200 SLIM LINE VERTICAL BUCKY STAND	25.00	12.25	84.00	200
6						
7						
8						

TYPICAL FM SYSTEM HIGH FREQUENCY RADIOGRAPHICSUITE



GAMMA TECH, INC.

1213 Idaho Road
Austintown, OH 44515
dhenry@gammatech.net

Voice (330) 792-9568
Fax (330) 792-0658
www.gammatech.net

DESIGNER:
DAVID HENRY

FILE NAME: DEL1TYP.DWG
REVISION DATE: 05/28/2008